

THIS DRAWING IS UNPUBLISHED.

RELEASED FOR PUBLICATION

20

© COPYRIGHT 20 BY -

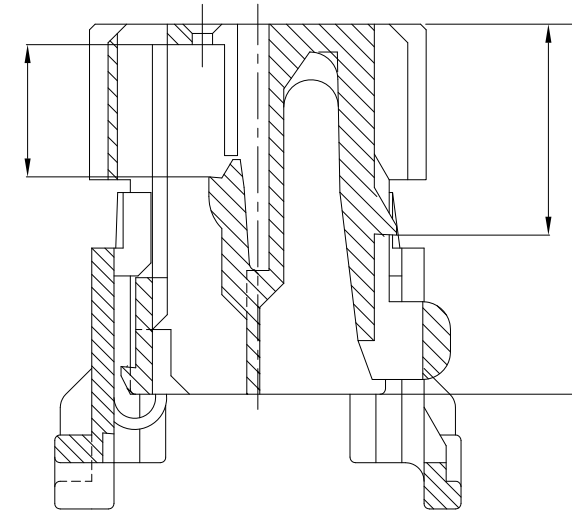
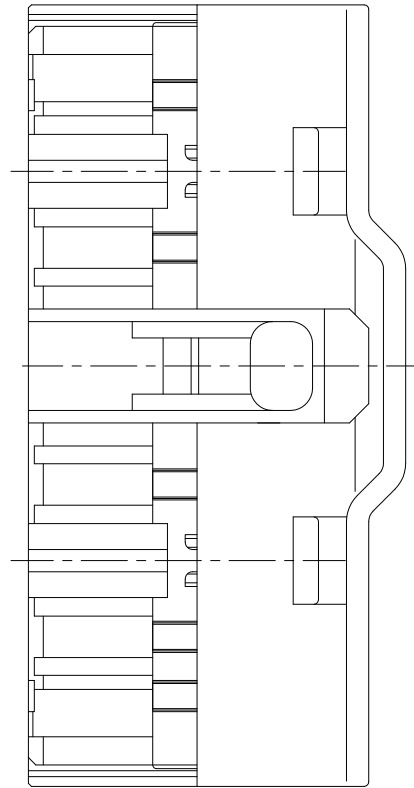
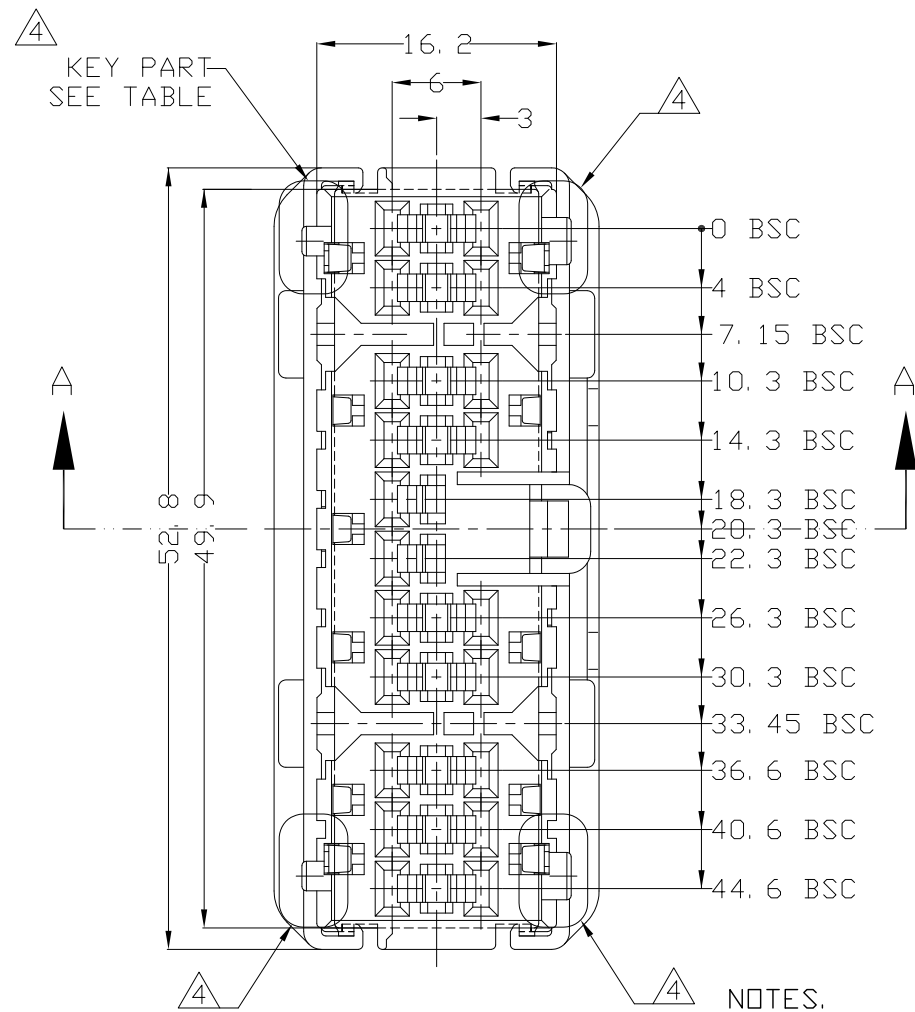
ALL RIGHTS RESERVED.

LOC DS

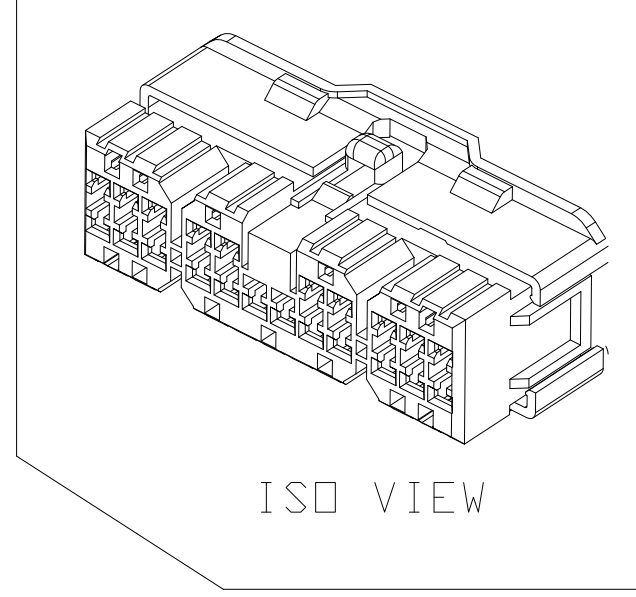
DIST -

REVISIONS

P	LTR	DESCRIPTION	DATE	DWN	APVD
	D1	REVISED (ECR-12-012238)	19/OCT/'12	SJ	HG



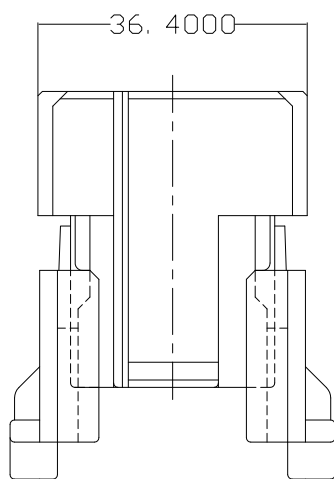
SECTION A-A
(SCALE: 2.5/1)



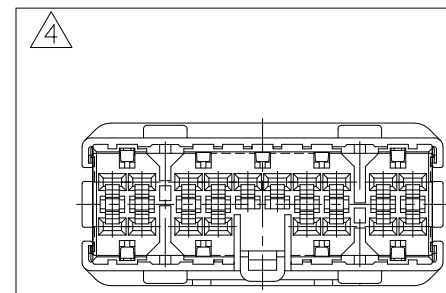
ISO VIEW

NOTES.

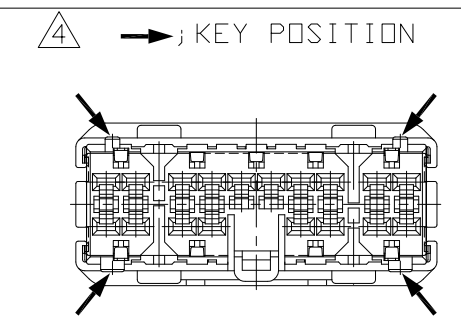
- TO BE MATED WITH CAP HSG SMOOTHLY.
 - APPLIED CONTACT P/N ; 368083/368084/368085
 - P/N 0-368188-1; APPLIED CAP HSG P/N ; 0-368504-1/0-368150-1
P/N 1-368188-1; APPLIED CAP HSG P/N ; 1-368187-1
- △ P/N 0-368188-1; APPLY NO KEY
P/N 1-368188-1; APPLY KEY
P/N 2-368188-1; APPLY KEY



P/N	COLOR	MATERIAL	KEY
0-368188-1	NATURAL	PBT	△
1-368188-1	NATURAL	PBT	△
2-368188-1	BLACK	PBT	△



P/N : 0-368188-1



P/N : 1-368188-1/2-368188-1

THIS DRAWING IS A CONTROLLED DOCUMENT.

DWN
SJ CHOI
CHK
JW JUNG
APVD
HG CHO
PRODUCT SPEC



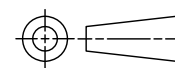
NAME

090 MLC 20P PLUG HSG

DIMENSIONS:
mm

TOLERANCES UNLESS
OTHERWISE SPECIFIED:

- 0 <XX<10 ± 0.2
- 10<XX<30 ± 0.25
- 30<XX ± 0.3
- ANGLES ± 3°



MATERIAL
SEE TABLE

FINISH

WEIGHT

CUSTOMER DRAWING

SIZE	CAGE CODE	DRAWING NO	RESTRICTED TO
A3	00779	C-368188	-
SCALE 2:1		SHEET 1 OF 1	REV D1